



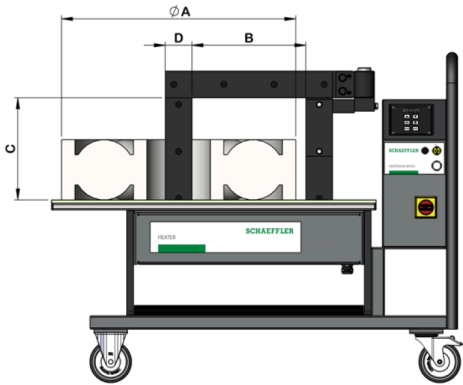
HEATER400-SMART-400V

Heating device, inductive

Schaeffler ID:
0966772280000

HEATER smart

Technical information



Technical data

U	400 V	Operating voltage
f	50 - 60 Hz	Frequency
P	12 kVA	Power consumption
I	30 A	Current rating
$\vartheta_{h \max}$	240 °C	Max. heating temperature
	0 - 99 min	Heating time
	Touch	Display
	2	Magnetic probe, quantity
$\approx m$	176 kg	Weight

Functions

+	Temperature hold
+	Automatic demagnetization, <math><2A/cm</math>
+	Swivel arm
+	Log function
+	Delta-T control
+	Temperature control
+	Time control
+	Temperature and time control
+	Temperature and speed control
+	Overheating protection
	only in temp. and speed mode
+	Automatic power reduction
+	Device supports horizontal / lying heating of the workpiece
+	Device supports vertical / hanging heating of the workpiece
+	Device mobile

Dimensions

	1,214 mm	Length HEATER
	560 mm	Width HEATER
	990 mm	Height HEATER
B	320 mm	Space between poles
C	305 mm	Pole length
D	80x100	Pole cross section (mm ²)

Workpiece to be heated

	115 mm	Min. inner diameter workpiece, vertical heating: with included yoke
	30 mm	Min. inner diameter workpiece, vertical heating: with optional yoke
	135 mm	Min. inner diameter workpiece, horizontal heating
$\varnothing A_{\max}$	850 mm	Max. outer diameter workpiece
	315 mm	Max. workpiece width, vertical heating
	300 mm	Max. workpiece width, horizontal heating
$m_{b \max}$	400 kg	Max. workpiece weight

Additional information

	1	Yokes included, quantity
	80x80	Yokes included, cross section (mm ²)